

**Cat. No. 01-8818-13**

Rev. A 8/27/99

DCO#990870

# Parts List

# SYSTEM 101<sup>®</sup> and SYSTEM 201<sup>®</sup> WATER FILTERS

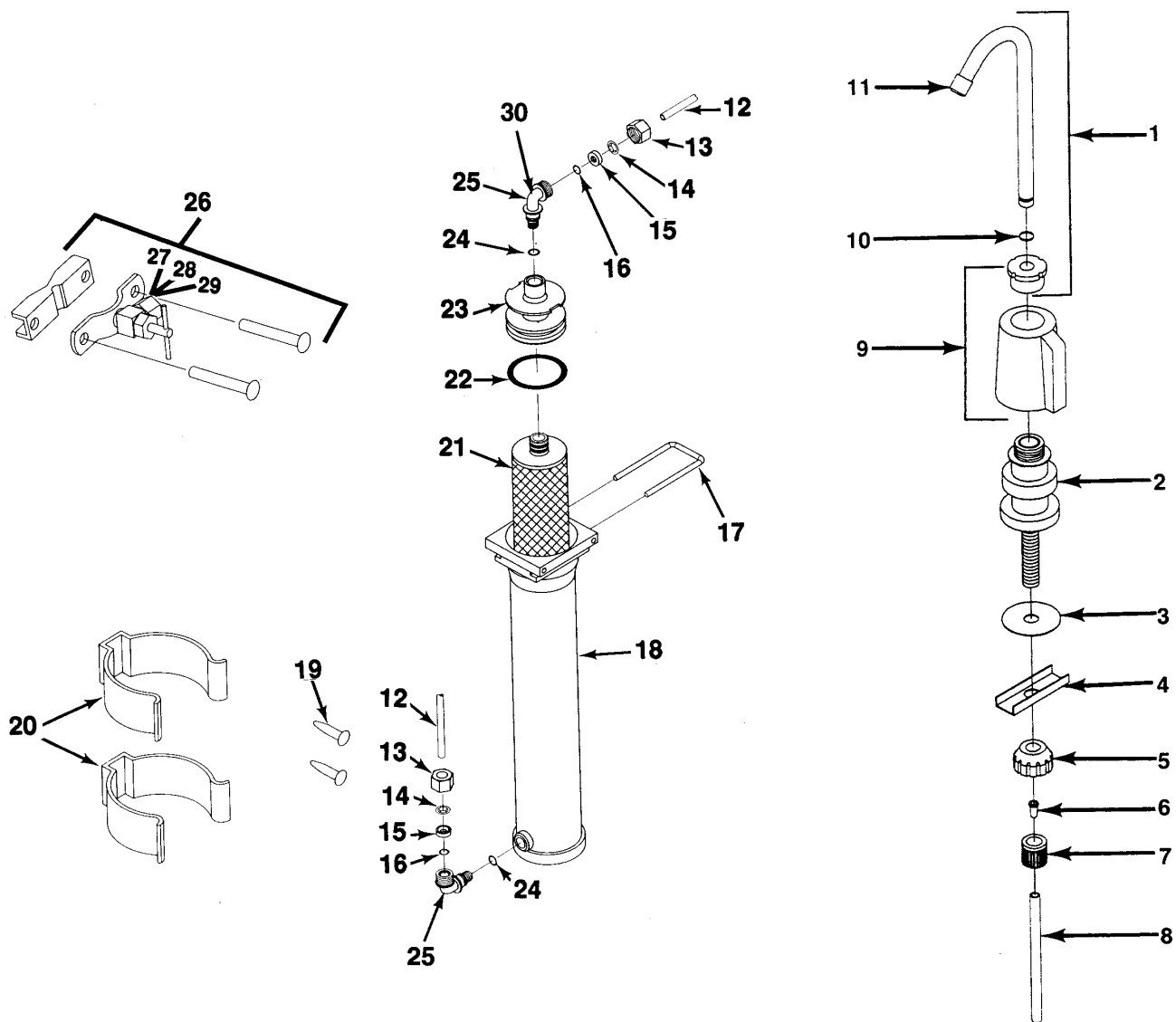
## MODELS FROM 1991



### Table of Contents

Exploded View .....	2
Parts List .....	3

# Exploded View



# Parts List

Item No.	Part No.	Qty. Req.	Description
	01-0035-37		Faucet W/O Air Gap/White
1	01-0036-53	1	Spout
2	—	1	Non-Serviceable, Replace with PN 01-0035-37 Faucet/White
3	P1-0036-59	1	Gasket / MP 10
4	P1-0036-57	1	Anchor / MP 10
5	P1-0036-58	1	Nut / MP 10
6	P1-0036-61	1	Insert / MP 25
7	00-3030-28	1	Jaco Nut 0.25"
8	00-4021-84	AR	Tubing, 0.25" / Per Foot
9	—	1	Color Kit
	01-0036-47		White
	01-0036-48		Almond
	01-0036-49		Black
	01-0036-50		Chrome W/Black Tip & Nut
10	P1-0036-60	1	O-Ring / MP 25
11	—	1	Spout Tip
	P1-0036-54		White / MP 10
	P1-0036-55		Black / MP 10
	P1-0036-56		Almond / MP 10
	*P1-0036-51	1	Service Tool / MP 10
	*01-0036-52	1	Spout, Long (Includes White Tip, Nut, O-Ring, Tool)
12	00-4021-84	AR	Tubing, 0.250" x 0.170" / per foot
13	01-0009-60	2	Nut 0.250", Parker
14	01-0011-41	2	Grab Ring 0.250", Parker
15	01-0010-21	2	Spacer 0.250", Parker
16	00-4010-63	2	O-Ring 0.250", Parker
17	00-9097-46	1	Clip
18	01-0011-53	1	Housing with Decal/System 101
	01-0015-84	1	Housing with Decal/System 201
19	01-0009-61	2	Screws, Wood #6 x 0.500" Rd. Hd.
20	01-0009-57	2	Bracket, Housing
21	P1-0125-80	1	Cartridge Act. Carbon Block / MP 12 / PN 01-0125-80, System 101
	01-0126-00	1	Cartridge Act. Carbon Block / MP 50 / PN 01-0125-80, System 101
	P1-0125-81	1	Cartridge, Lead Reduction / MP 12 / PN 01-0055-82, System 201
	01-0126-01	1	Cartridge, Lead Reduction / MP 50 / PN 01-0055-82, System 201
22	00-3084-65	1	O-Ring, Buna N, 1.750" x 2.125"
23	01-0008-95	1	Plug, Filter-end
24	00-4479-86	2	O-Ring, EPT, 0.375" x 0.500"
25	01-0009-56	2	Elbow Adapter, 0.250"
26	01-0008-89	1	Valve, Piercing (Includes 27/29)
27	00-3031-62	2	Insert, Tube 0.250"
28	00-3030-96	2	Sleeve, Delrin 0.250"
29	00-3323-23	2	Nut, Compression 0.250"
*	01-0011-74		Decal Faucet
*	01-0009-84	1	Small Parts Pack (Includes 1,2,3,5,6,7,8,9,19)

MP denotes a Multi-Pack Quantity

AR as required

\* Not Illustrated